

Help Line

Australia	+ 1-800-33-11-77
Canada	+ 1-800-665-4339
México	+ 1-800-234-1185
United States	+ 1-800-955-0959

Fellowes

Australia	+ 61-3-8336-9700
Benelux	+ 31-(0)-76-523-2090
Canada	+ 1-905-475-6320
Deutschland	+ 49-(0)-5131-49770
France	+ 33-(0)-1-30-06-86-80
Italia	+ 39-071-730041
Japan	+ 81-(0)-3-5496-2401
Korea	+ 82-(0)-2-3462-2884
Malaysia	+ 60-(0)-35122-1231
Polska	+ 48-(22)-771-47-40
Spain	+ 34-91-748-05-01
Singapore	+ 65-6221-3811
United Kingdom	+ 44-(0)-1302-836836
United States	+ 1-630-893-1600

www.fellowes.com



P-35C

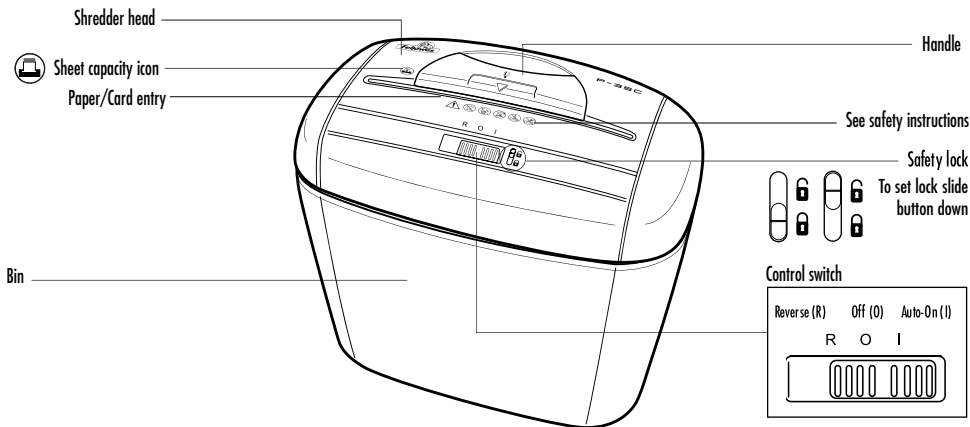
Please read these instructions before use.

Fellowes

1789 Norwood Avenue, Itasca, Illinois 60143-1095 • USA • 630-893-1600

<http://www.fellowes.com>

Australia	Canada	Deutschland	France	Japan	Polska	United Kingdom
Benelux	China	España	Italia	Korea	Singapore	United States



SET-UP

For safety reasons, shredder will operate only if the shredder head is in correct position and used with supplied basket.



CAPABILITIES

Will shred: Paper, credit cards, and staples

Will not shred: Continuous forms, adhesive labels, transparencies, newspaper, cardboard, paper clips, laminates or plastic other than noted above

Paper shred size:

Confetti-Cut 5/32" x 1-9/16" (4 x 40mm)

Maximum:

Sheets per pass (Confetti-Cut) 5*

Cards per pass 1*

Paper width 8.75"/222mm

Continuous operation 3 minutes

*20lb., 8.5"x11" (75g) paper at 120v, 60Hz, P-35C-1.6Amps; heavier paper, humidity or other than rated voltage may reduce capacity. Recommended daily usage rates: 10-20 paper passes; 10 cards.

IMPORTANT SAFETY INSTRUCTIONS — Read Before Using!

WARNING

- Keep away from children and pets. Keep hands away from paper entry. Always unplug when not in use.
- Keep foreign objects – gloves, jewelry, clothing, hair, etc. – away from shredder openings. If object enters top opening, switch to Reverse (R) to back out object.

- Never use aerosol, petroleum based or other flammable products on or near shredder. Do not use canned air on shredder.
- Do not use if damaged or defective. Do not open shredder head. Do not place near or over heat or water source.
- 5 sheets per pass to avoid jams.

CAUTION

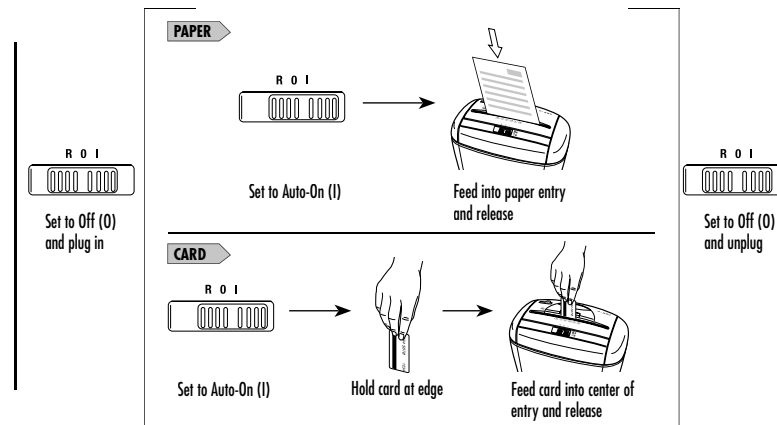
- Avoid touching exposed blades under Confetti-Cut shredder head.
- Use only designated entry for cards.
- The grounded socket-outlet shall be installed near the equipment and shall be easily accessible.

OPERATION



Continuous operation:
3-minute maximum

NOTE: Shredder runs briefly after each pass to clear entry. Continuous operation beyond 3-minutes will trigger 30-minutes cool down period.

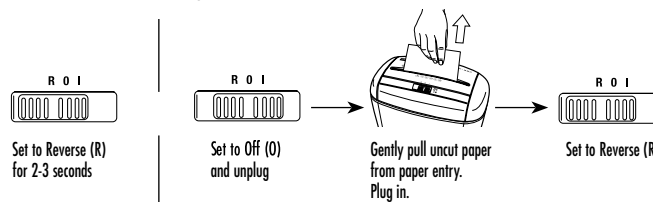


Safety Lock prevents accidental operation. To set, wait for shredding to stop, set control switch to Off (O) position, then slide black button down. To unlock, slide black button up. For greater safety, always unplug shredder after use.

TROUBLESHOOTING



Paper jam: Set to Off (O), lift head and empty bin. Replace head on bin and follow any or all of the below procedures.



Shredder doesn't start:

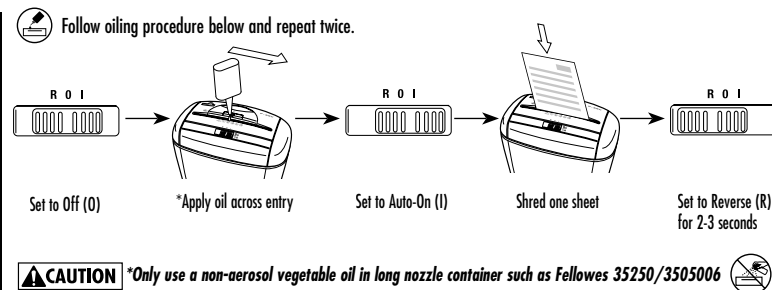
- Make sure switch is in auto position (I).
- Make sure safety lock is in unlock position.
- Make sure head is on basket correctly. Check for jam.
- Remove and empty basket.
- Wait 30 minutes for motor to cool down.

MAINTENANCE

Run regularly in reverse for one minute

Oil when bin is full, or immediately, if:

- Capacity decreases
- Motor sounds different, or Shredder stops running



CAUTION *Only use a non-aerosol vegetable oil in long nozzle container such as Fellowes 35250/3505006

WARRANTY

LIMITED WARRANTY Fellowes, Inc. ("Fellowes") warrants the cutting blades of the machine to be free from defects in material and workmanship for 3 years from the date of purchase by the original consumer. Fellowes warrants all other parts of the machine to be free of defects in material and workmanship for 1 year from the date of purchase by the original consumer. If any part is found to be defective during the warranty period, your sole and exclusive remedy will be repair or replacement, at Fellowes' option and expense, of the defective part. This warranty does not apply in cases of abuse, mishandling, or unauthorized repair. ANY IMPLIED WARRANTY, INCLUDING THAT OF MERCHANTABILITY OR

FITNESS FOR A PARTICULAR PURPOSE, IS HEREBY LIMITED IN DURATION TO THE APPROPRIATE WARRANTY PERIOD SET FORTH ABOVE. In no event shall Fellowes be liable for any consequential or incidental damages attributable to this product. This warranty gives you specific legal rights. The duration, terms, and conditions of this warranty are valid worldwide, except where different limitations, restrictions, or conditions may be required by local law. For more details or to obtain service under this warranty, please contact us or your dealer.